



SBL-100D

Remote Head Camera Ceiling Housing



Key Features

- Plastic
- Can be used with SLA-T2480, SLA-T2480A, SLA-T4680, SLA-T4680A
- Dimensions : $\Phi 89.9 \times 54.7$ mm ($\Phi 3.54 \times 2.15$ ")
- Weight : 65g (0.14 lb)
- White

SBL-100D

Remote Head Camera Ceiling Housing



Specifications

Mechanical

Color	White
Material	Plastic
RAL code	RAL9003
Product dimensions / weight	Φ89.9x54.7 mm(Φ3.54x2.15")/65g(0.14 lb)
Supported products	SLA-T2480, SLA-T2480A, SLA-T4680, SLA-T4680A ※ For further compatible models, please visit our website or use Toolbox

SBL-100D

Remote Head Camera Ceiling Housing

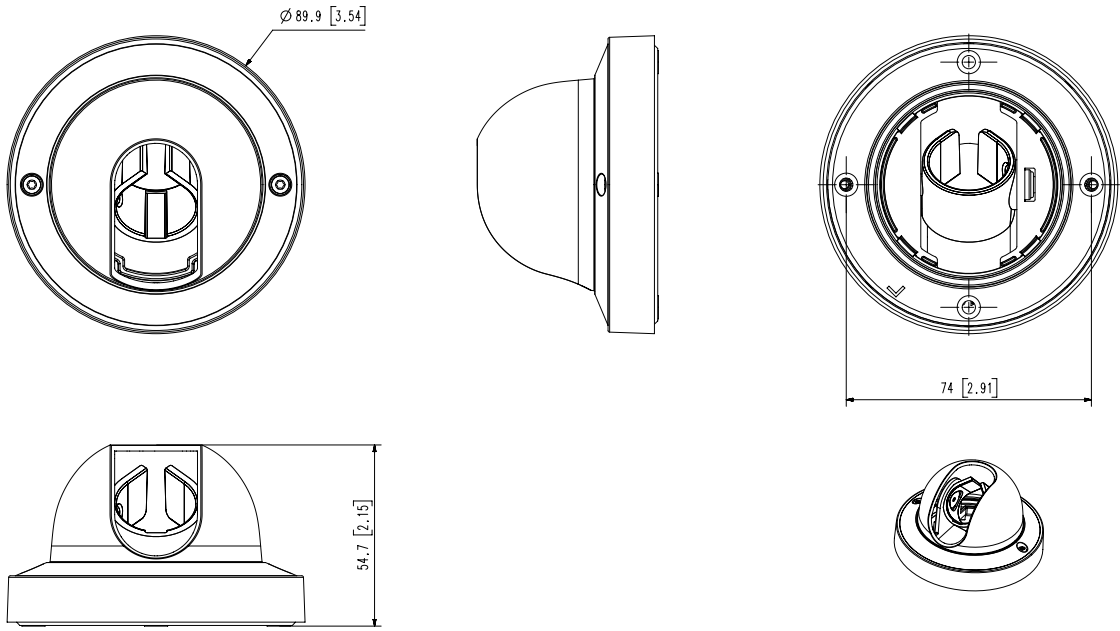


CAD

Unit: mm [inch]

This parts should not contain any substances which are specified in AH60-0033K

NO	PART NAME	CODE NO.	MATERIAL	Q'TY	REMARK
1	ASSY_FINAL_SBL100D	075715	Check note	1	-



A3 CHANGE	UNIT	mm	DESIGN	CHECK	APPROVAL	PART NAME
	SCALE	1/1				MODEL NAME
	© Hanwha Techwin					CODE NO.