

SBP-160TMW1

Tilt Mount



Key Features

- Material: Aluminum
- Dimensions : Ø160.0 x 57.6mm (6.30" x 2.27")
- Weight : 325g (0.72 lb)
- Color : White
- Supported products : XNF-9010RV
- For further compatible models, please check out Wisenet Toolbox Plus

SBP-160TMW1

Tilt Mount



Specifications

動作環境

動作温度/湿度	-50°C ~ +60°C(-58°F ~ +140°F) / Less than 100% RH
保管温度/湿度	-50°C ~ +60°C(-58°F ~ +140°F) / Less than 100% RH

物理的仕様

カラー	White
材質	Aluminum
RALコード	RAL9003
寸法/重量	Ø160.0x57.6mm(6.30x2.27"), 325g(0.72 lb)
互換製品	XNF-9010RV ※ For further compatible models, please visit our website or use Toolbox

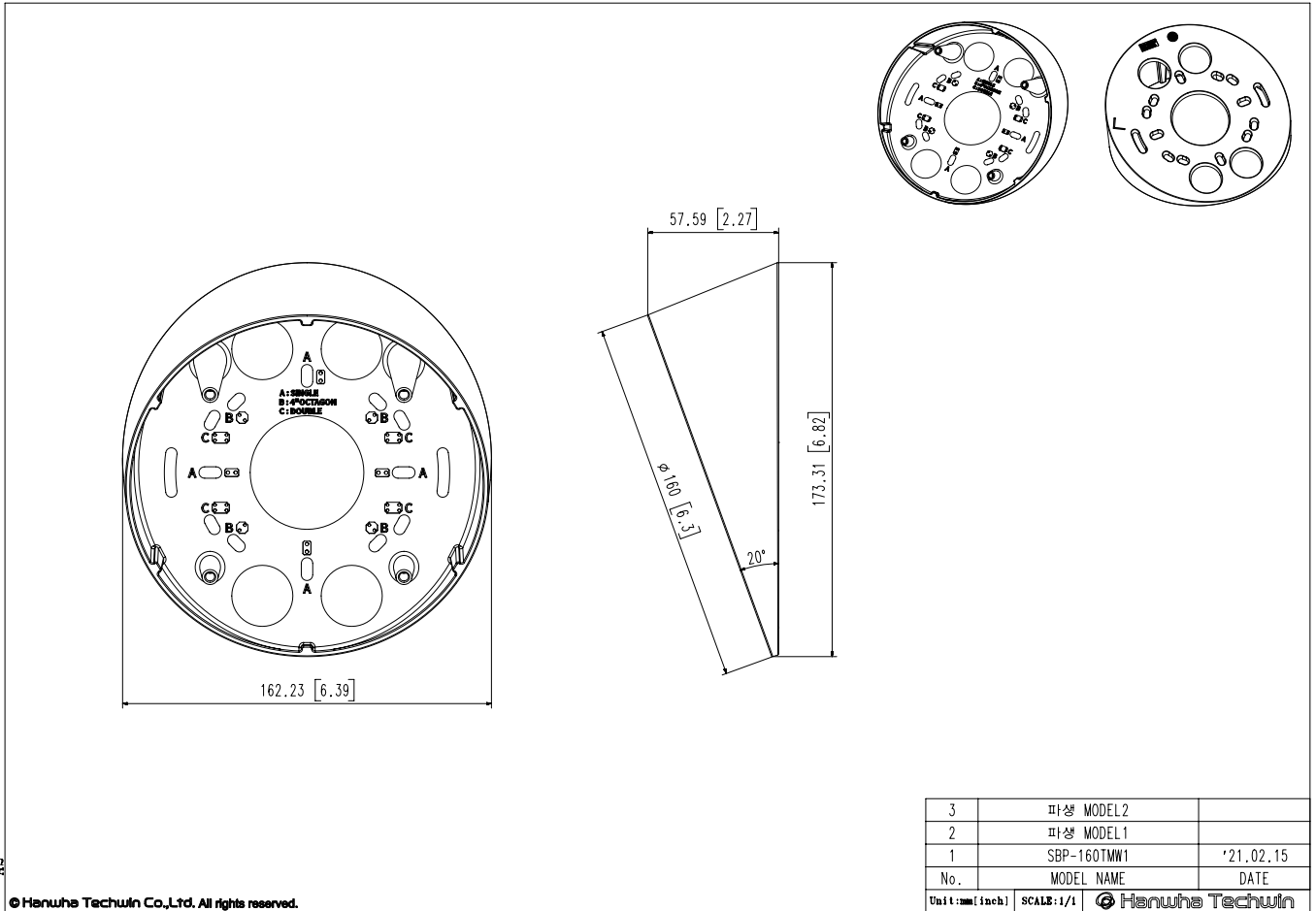
SBP-160TMW1

Tilt Mount



CAD

Unit: mm [inch]



A2

© Hanwha Techwin Co., Ltd. All rights reserved.