

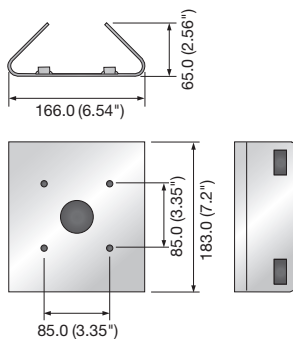
# Bullet / PTZ / Dome Mounts

	 Pole Mount <b>SBP-301PM</b>	 Pole Mount <b>SBP-300PM</b>	 Corner Mount <b>SBP-300KM</b>
Materials	SECC	SECC	SECC
Dimensions (WxHxD)	166.0 x 183.0 x 65.0mm (6.54" x 7.2" x 2.56")	166.0 x 183.0 x 65.0mm (6.54" x 7.2" x 2.56")	115.0 x 183.0 x 100.0mm (4.53" x 7.2" x 3.94")
Weight	1.3Kg (2.87 lb)	1.4Kg (3.09 lb)	2.2Kg (4.85 lb)
Color	Ivory	Ivory	Ivory
Applicable Model	SNO-8081R	SBP-300WM1 SBP-300WM SBP-300B	SBP-300WM1 SBP-300WM SBP-300B

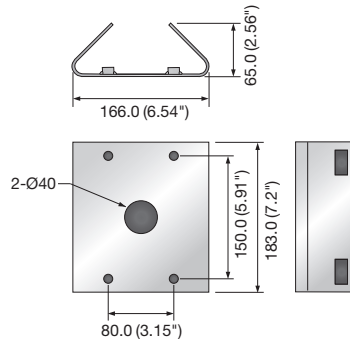
\* The latest product information / specification can be found at [www.samsungsecurity.com](http://www.samsungsecurity.com)

## Dimensions

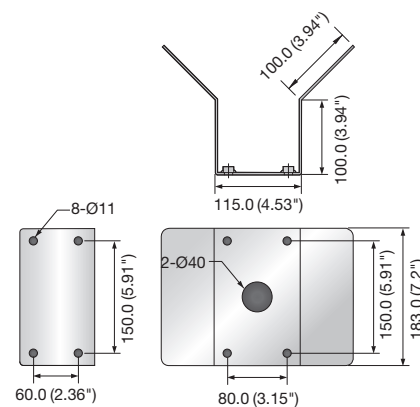
Unit : mm (inch)



SBP-301PM



SBP-300PM



SBP-300KM