



# SHD-1408FPW

In-ceiling Housing



## Key Features

- Enclosure: Aluminum / Top cover : Polycarbonate (PC)
- Dimensions : Ø209mm x H115mm (8.23" x 4.53")
- Weight : 1,020g (2.25 lb)
- Color : White
- Universal Housing (Supports various camera models with one housing)
- QR installation guide support

# SHD-1408FPW

In-ceiling Housing



## Specifications

### Mechanical

<b>Color</b>	White
<b>Material</b>	Enclosure : Aluminum Top cover : Polycarbonate(PC)
<b>RAL code</b>	RAL9003
<b>Product dimensions / weight</b>	Ø209 x 115mm (Ø8.23x4.53") / 1020g (2.25lb)
<b>Tile thickness</b>	5~70mm
<b>Conduit hole</b>	19.1mm(3/4") (M25) 12.7mm(1/2") (M20)
<b>Supported products</b>	QNV-8030R/8020R/8010R/7030R/7020R/7010R/6032R/6022R/6012R LNV-6030R/6020R/6010R  ※ For further compatible models, please visit our website or use Toolbox

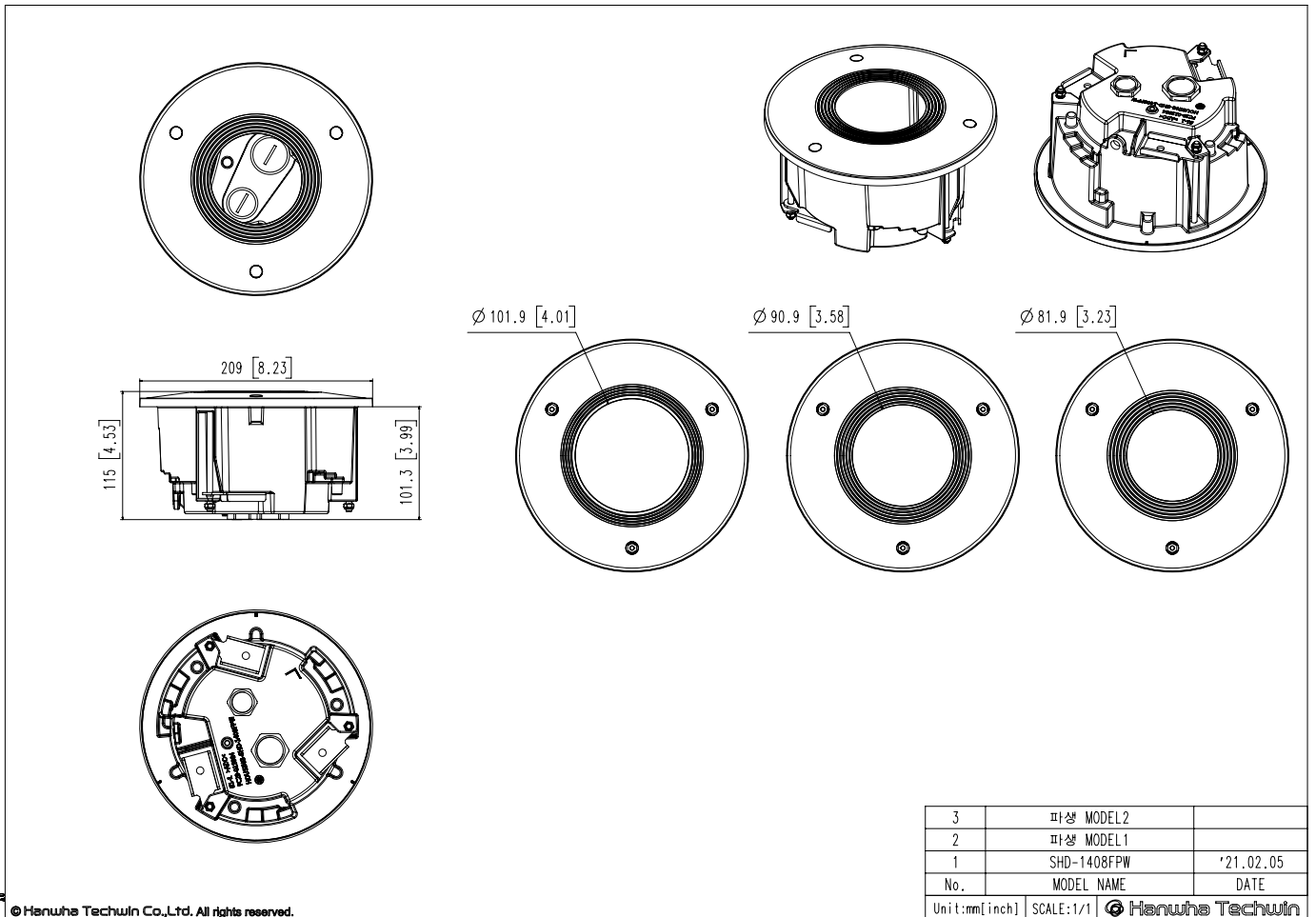
# SHD-1408FPW

In-ceiling Housing



CAD

Unit: mm [inch]



© Hanwha Techwin Co., Ltd. All rights reserved.