



SHP-1560FW

In-ceiling Housing



Key Features

- Material : Aluminum, Plastic
- Dimensions : $\Phi 268 \times 190 \text{mm}$ ($\Phi 10.55 \times 7.48 \text{''}$)
- Weight : 0.9kg (1.98lb)
- Color : White
- Supported products : XNP-9250, XNP-8250, XNP-6400, QNP-6250R, QNP-6320R
- For further compatible models, please check out Wisenet Toolbox Plus

SHP-1560FW

In-ceiling Housing



Specifications

Mechanical

Color	White
Material	Enclosure : Aluminum + PC Top cover : Polycarbonate(PC)
RAL code	RAL9003
Product dimensions / weight	Ø268x190mm (Ø10.55x7.48") / 0.9kg(1.98 lb)
Tile thickness	3~70mm
Supported products	XNP-9250/8250/6400/9250R/8250R/6400R ※ For further compatible models, please visit our website or use Toolbox

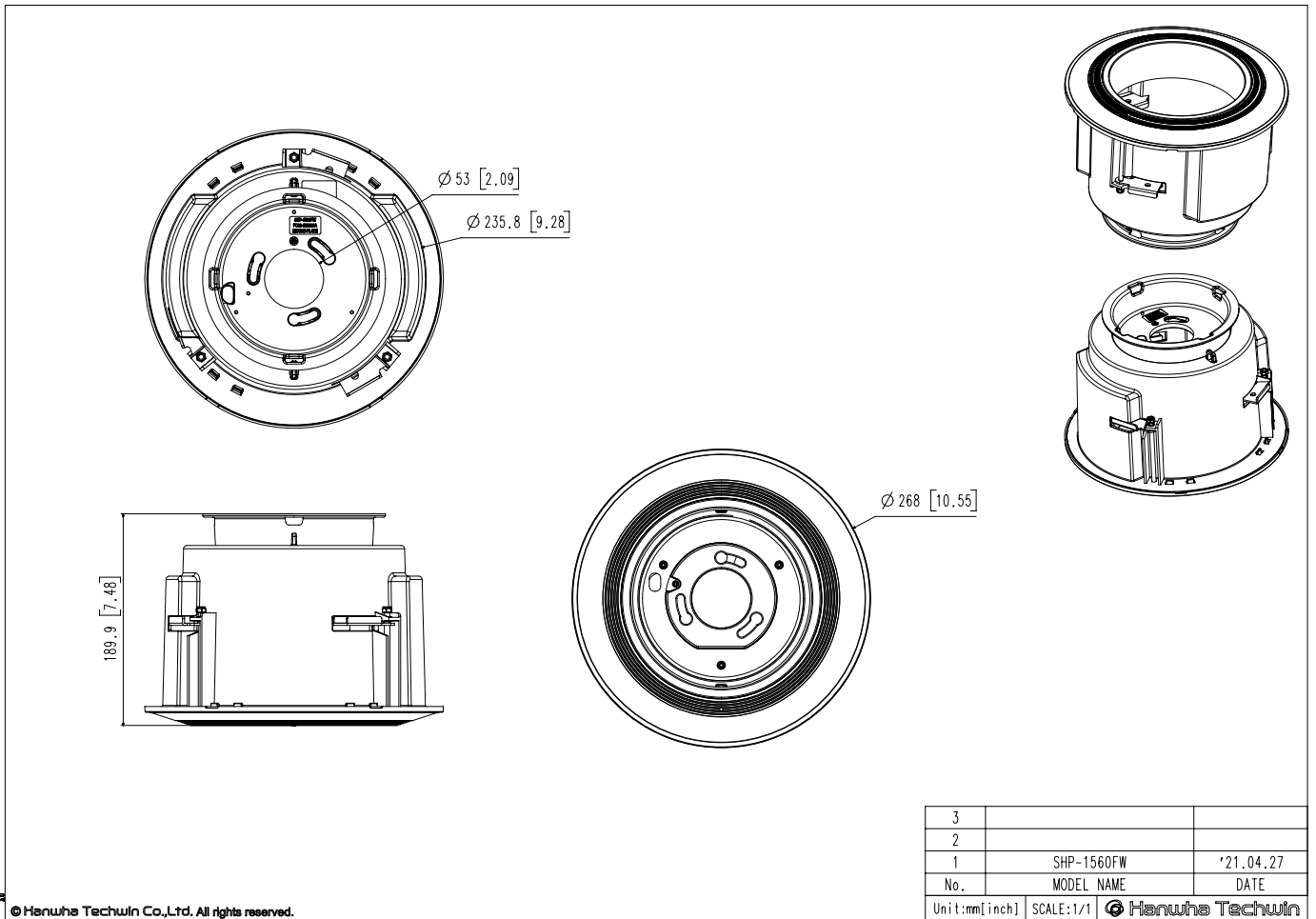
SHP-1560FW

In-ceiling Housing



CAD

Unit: mm [inch]



© Hanwha Techwin Co.,Ltd. All rights reserved.