



# SLA-2M2802D

2MP Lens Module for PNM-7002VD



## Key Features

- 0.055Lux@F2.0 Color, B/W
- 2.8mm fixed lens (2MP)

# SLA-2M2802D

2MP Lens Module for PNM-7002VD

## Specifications

### Video

Imaging Device	1/2.8" CMOS
Min. Illumination	Color: 0.055Lux(F2.0, 1/30sec)

### Lens

Focal Length (Zoom Ratio)	2.8mm fixed focal
Max. Aperture Ratio	F2.0
Angular Field of View	H:107.4°, V:62.2°, D:122.0°
Focus Control	Fixed

### Pan / Tilt / Rotate

Pan / Tilt / Rotate Range	-176°~+176° / 0°~51° / -90°~+90°
---------------------------	----------------------------------

### Mechanical

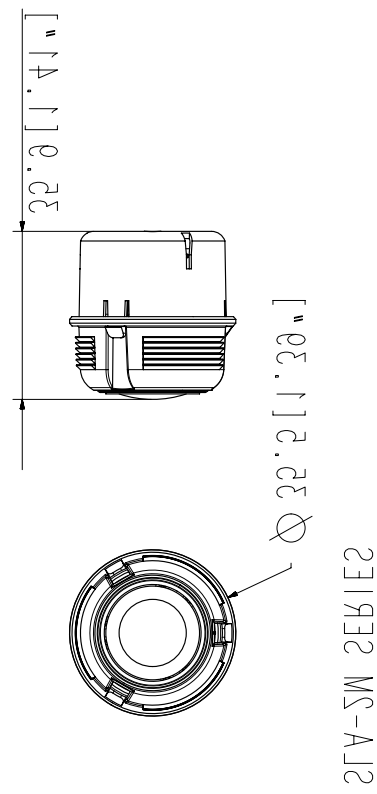
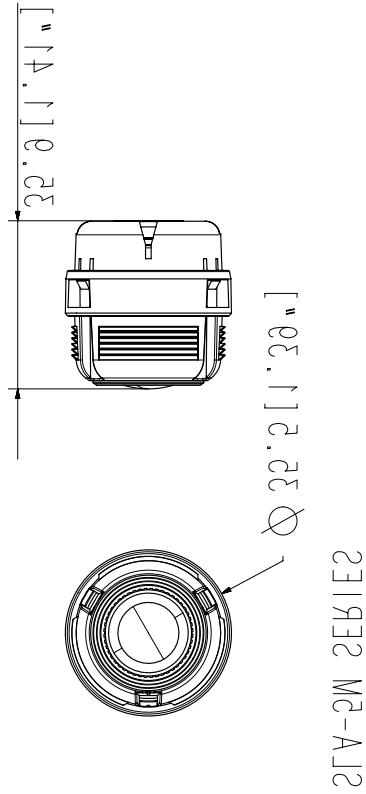
Color / Material	Black / Plastic
Product dimensions / weight	Ø35.5x35.9mm, 30g

# SLA-2M2802D

2MP Lens Module for PNM-7002VD

CAD

Unit: mm [inch]



(14.1) mm : 10.7