



SLA-T4680A

2MP Lens Module for PNM-9000QB



Key Features

- Color: 0.06Lux(F2.5, 1/30sec)
- 4.6mm fixed focal
- Compatible with PNM-9000QB

SLA-T4680A

2MP Lens Module for PNM-9000QB



Specifications

Video

Imaging Device	1/2.8" 2MP CMOS
Min. Illumination	Color: 0.06Lux(F2.5, 1/30sec)

Lens

Focal Length (Zoom Ratio)	4.6mm fixed focal
Max. Aperture Ratio	F2.5
Angular Field of View	H: 73°, V: 39°, D: 85°
Mount Type	RJ12 connected with main unit
Focus Control	fixed

Mechanical

Color / Material	Black / Plastic
Product dimensions / weight	Ø24xL49.8mm, 310g

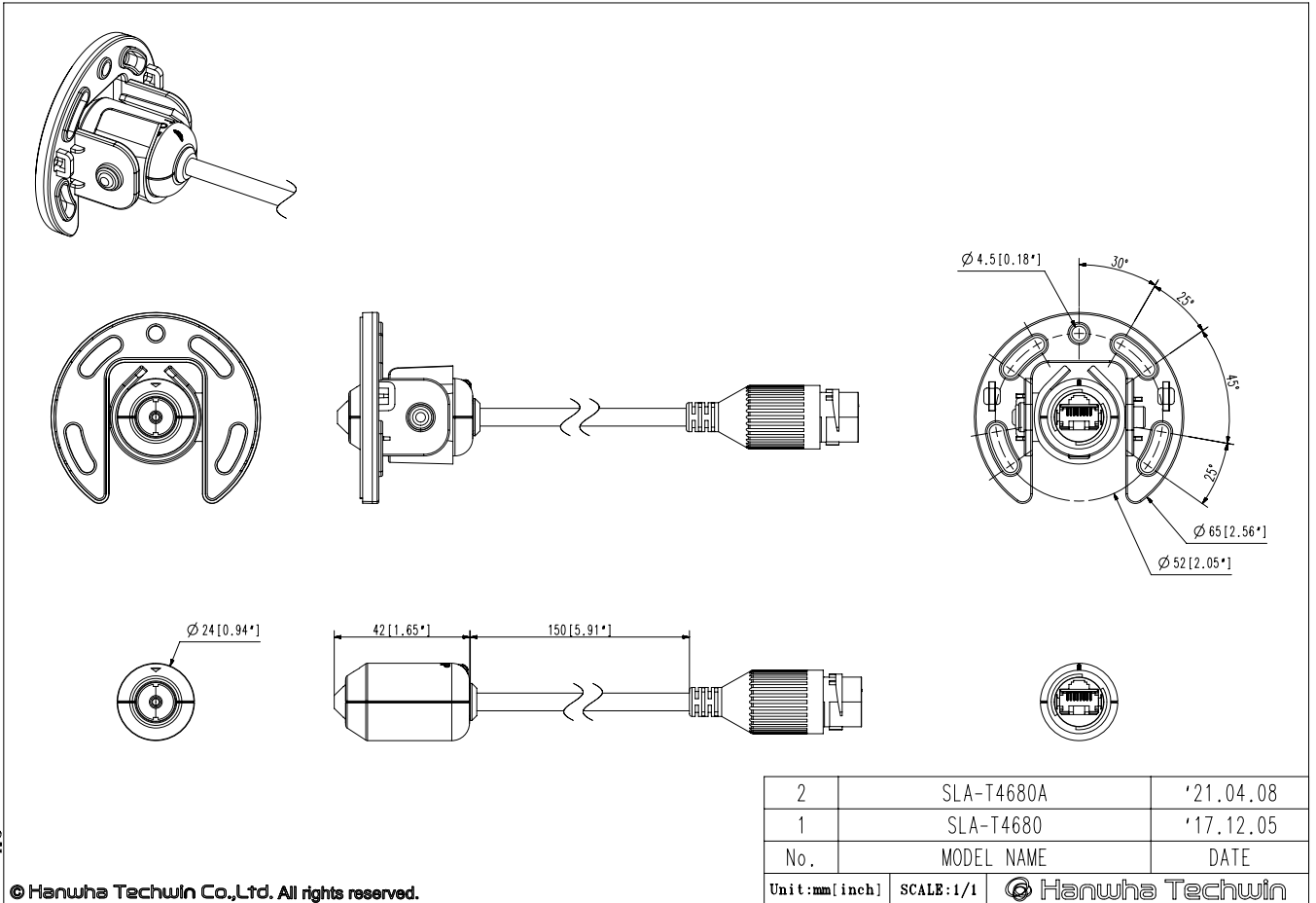
SLA-T4680A

2MP Lens Module for PNM-9000QB



Unit: mm [inch]

CAD



A3